

Block Diagram

iCore3 双核心工控板

银杏公司出品

GINGKO Technology Co.,Ltd.

E-mail: gingko@vip.163.com

Tel: 0379-63002125 15516367209

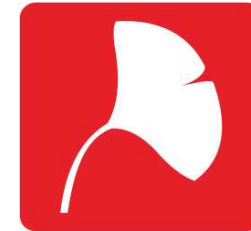
<http://iCore.taobao.com> (点击进入)

NOTES:

1. Notes here.

REV	DATE	PAGES	DESCRIPTION
0.0.0	09/04/2015	ALL	Created

PAGES	DESCRIPTION
0	Title, Note, Block Diagram, Revision History
1	-----
2	-----
3	-----
4	-----
5	-----
6	-----
7	-----
8	-----
9	-----
A	-----
B	-----
C	-----
D	-----
E	-----
F	-----
10	-----
11	-----
12	-----
13	-----

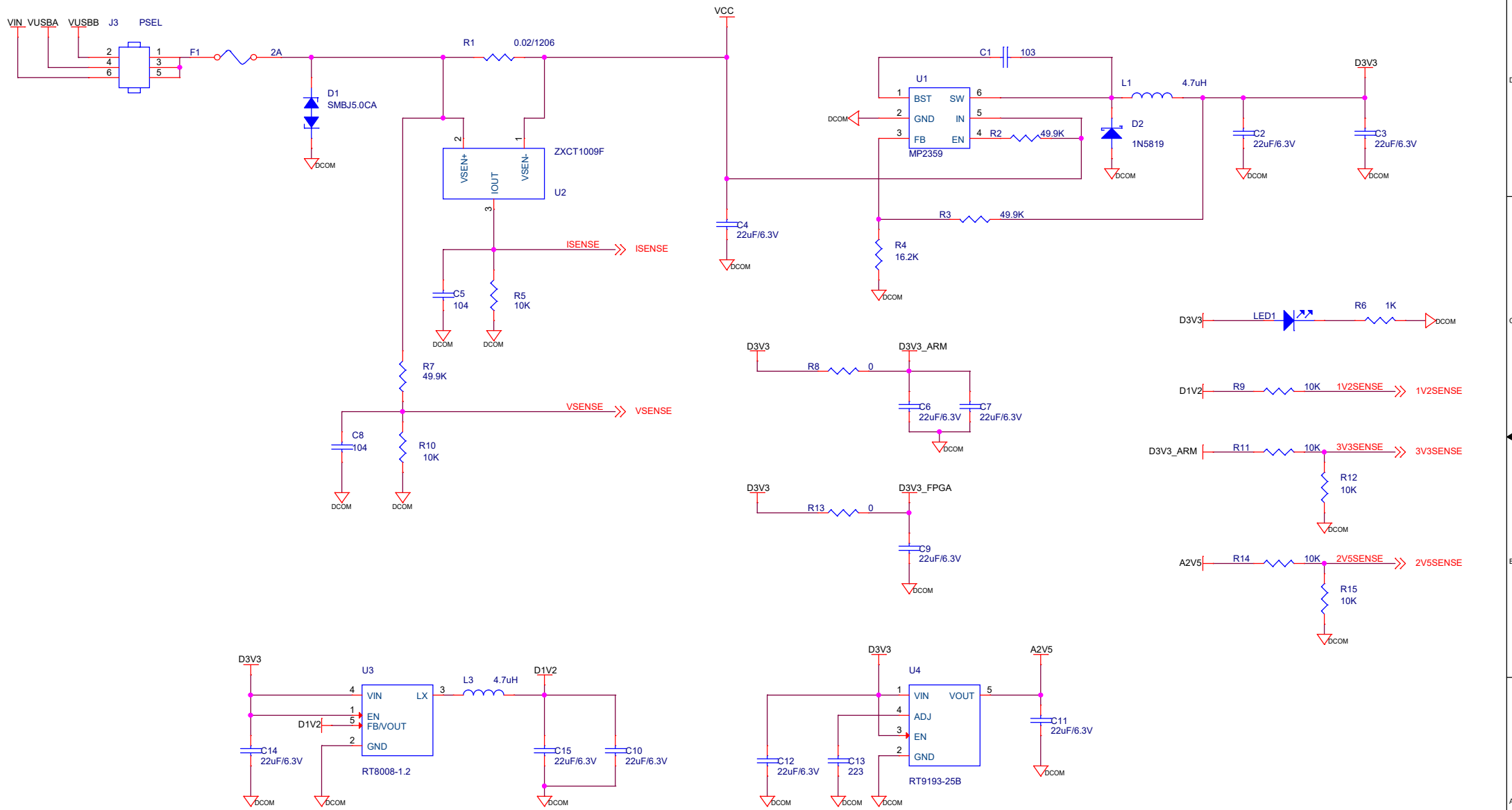


Engineer: XiaomaGee

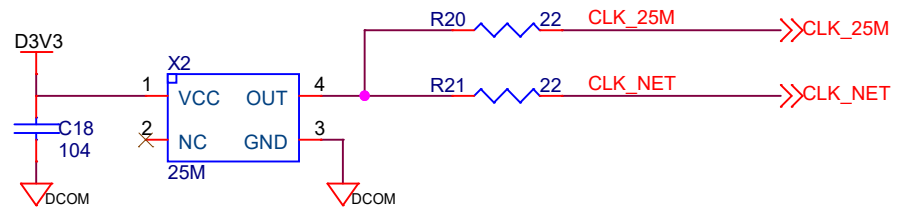
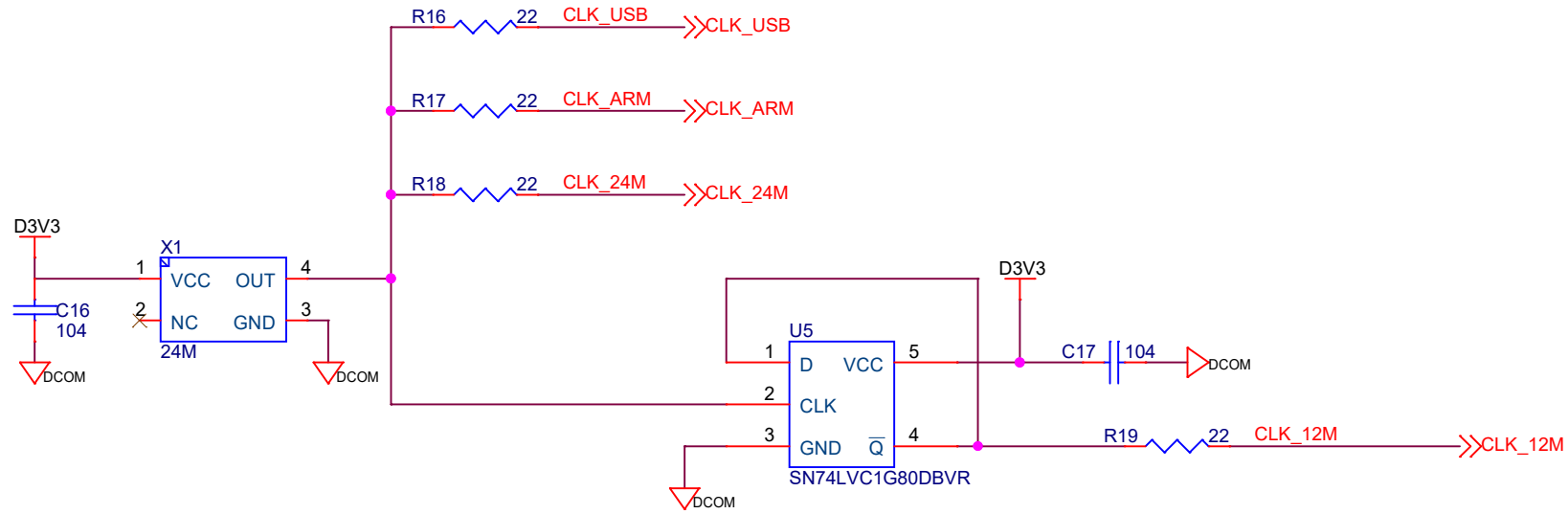
Engineer: -----

GINGKO Technology Co.,Ltd.
Title

Size B Document Number
0_Title Rev 0.0.0
Date: Sunday, December 13, 2015 Sheet 1 of 9

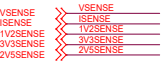


GINGKO Technology Co.,Ltd.		
Title		
iCore3		
Size	Document Number	Rev
B	1_Power	0
Date:	Tuesday, November 17, 2015	Sheet 2 of 9

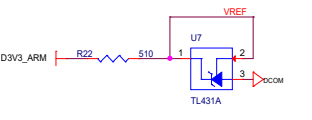


GINGKO Technology Co.,Ltd.

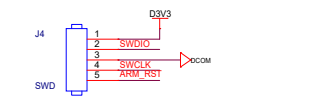
Title		
iCore3		
Size	Document Number	Rev
A	2_CLOCK	0
Date:	Tuesday, November 17, 2015	Sheet 3 of 9



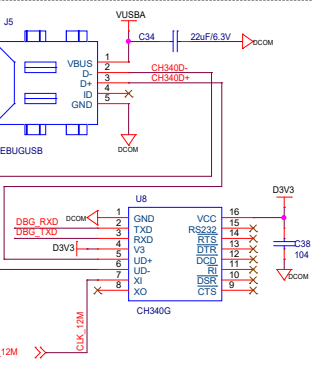
Voltage Reference



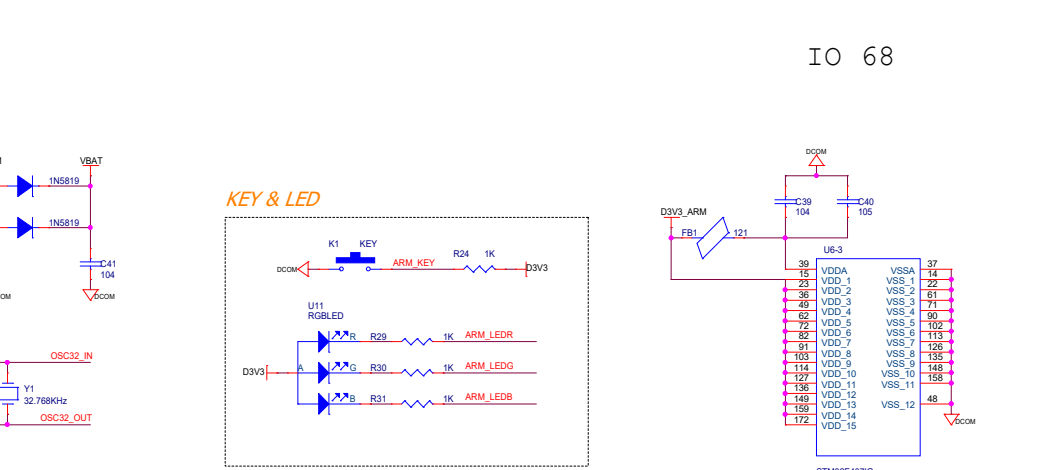
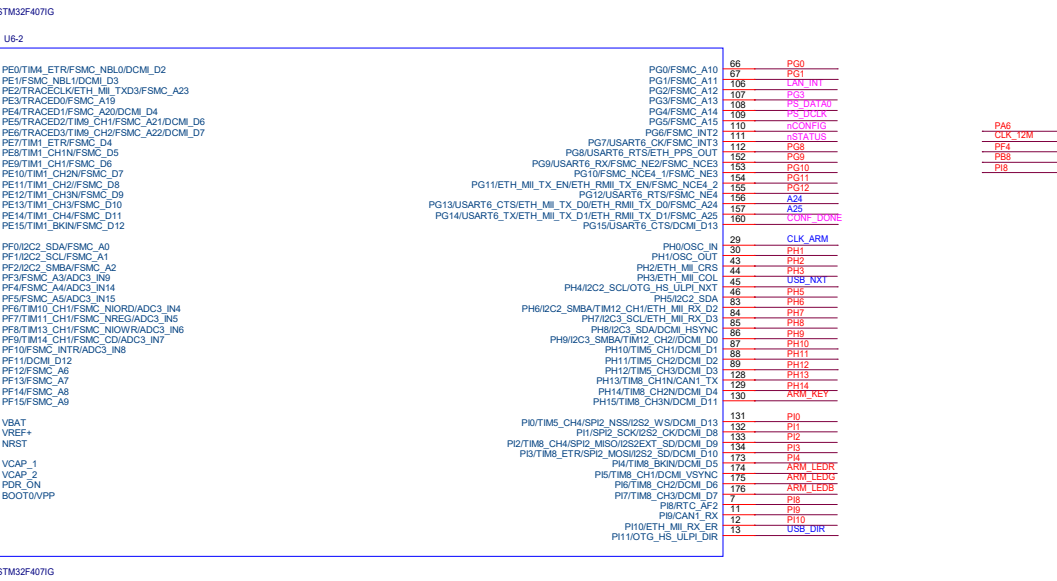
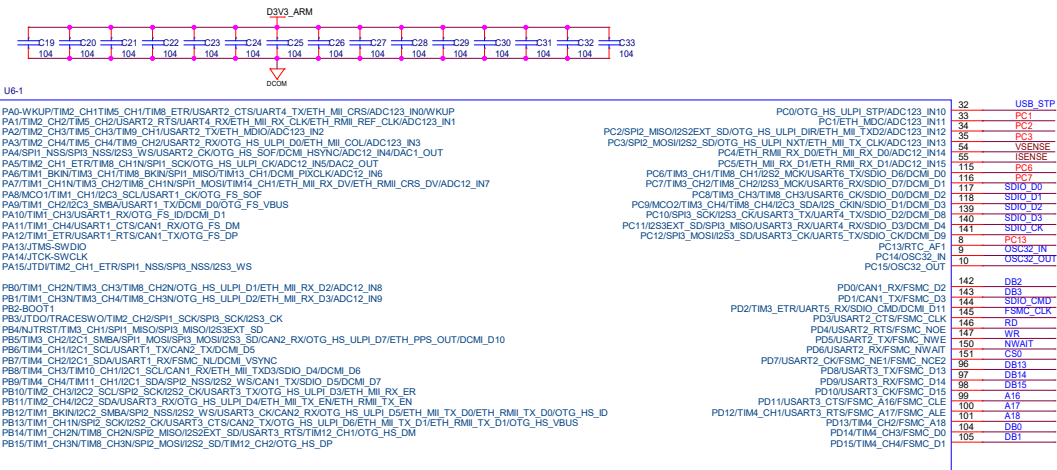
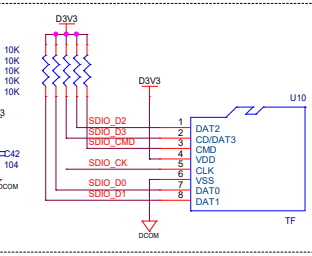
ARM Debug



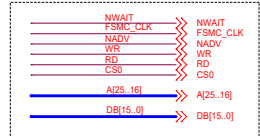
Debug UART



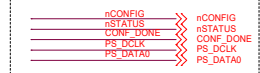
TF Card



FSMC



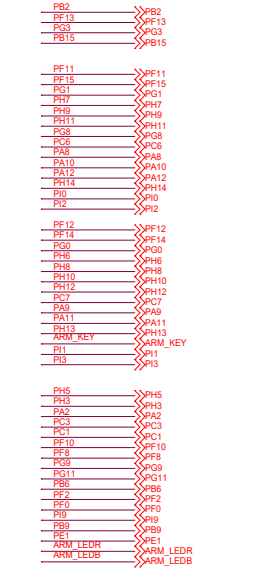
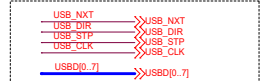
PS Signal



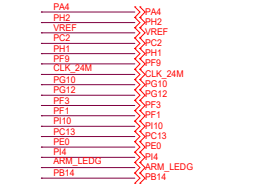
Ethernet



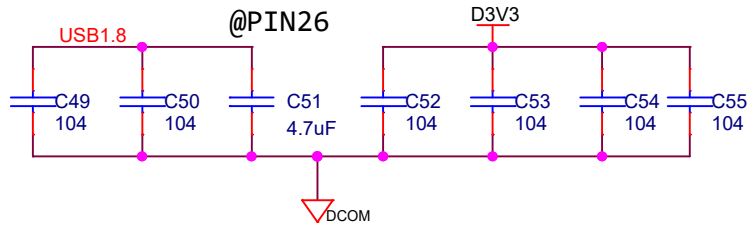
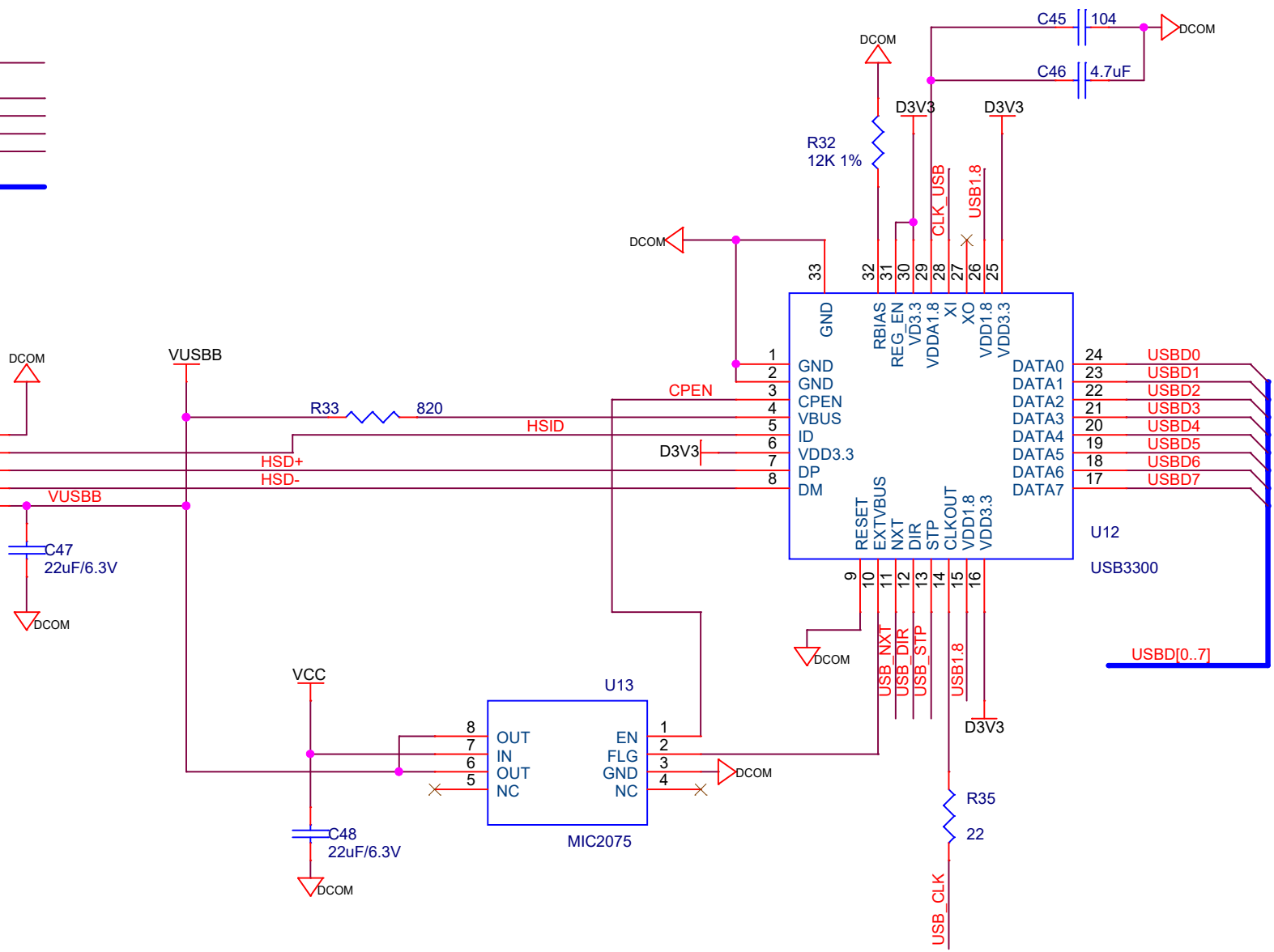
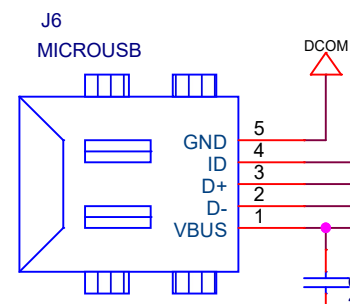
USB OTG HS



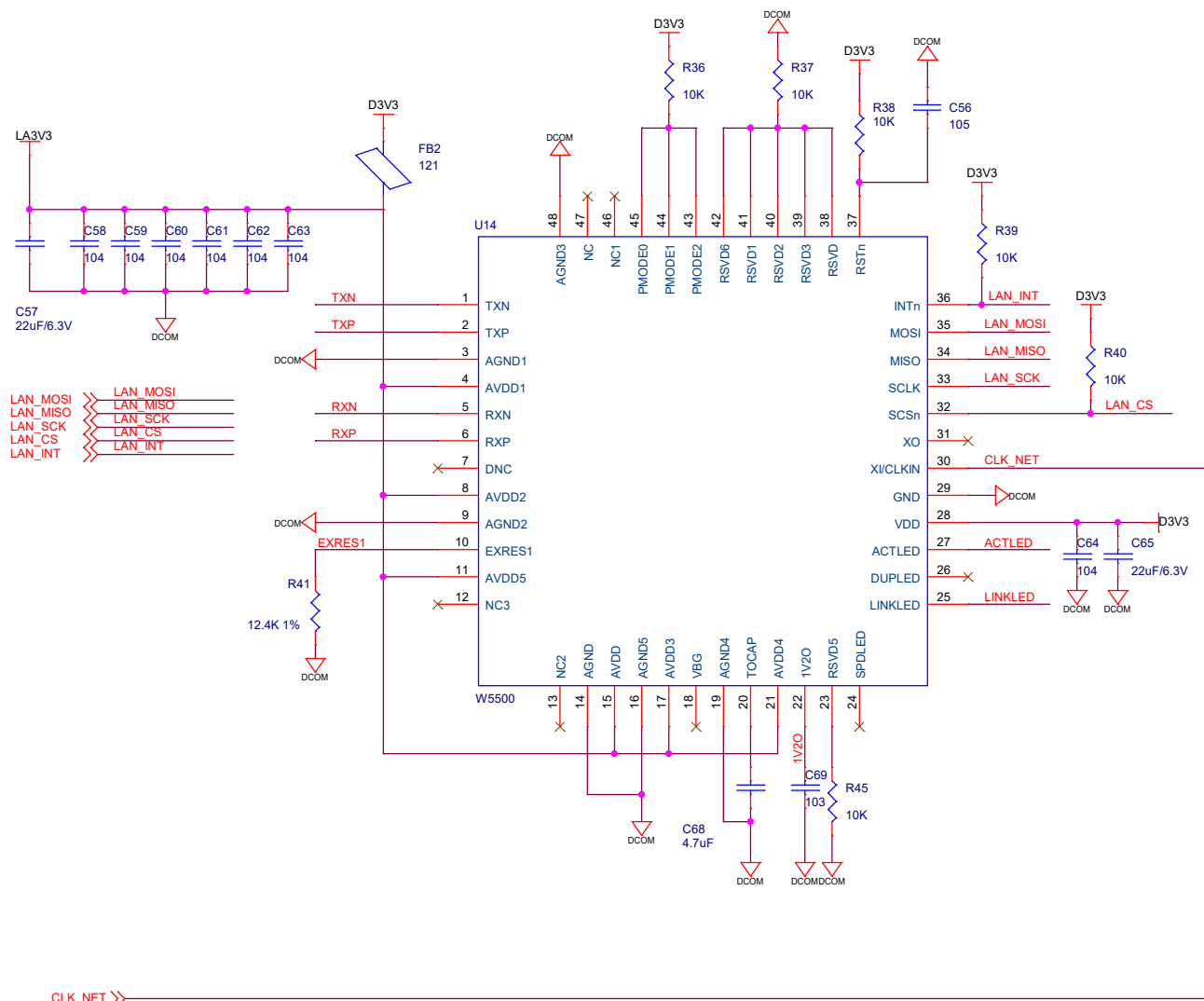
IO 68



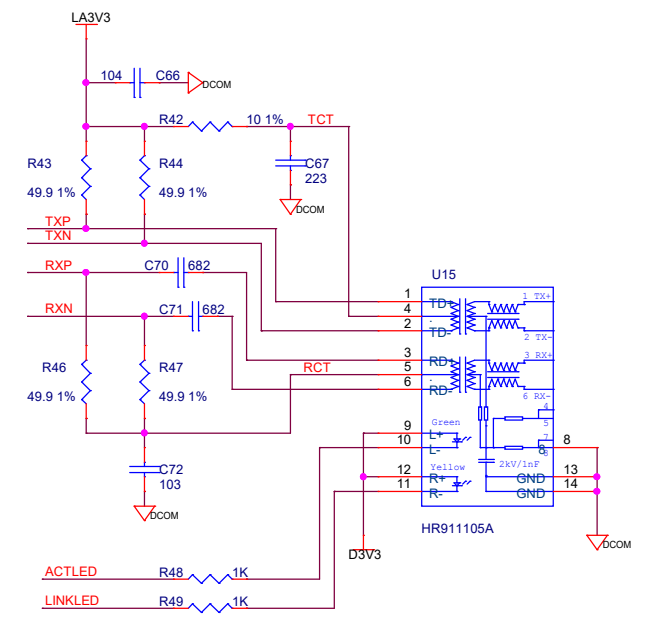
CLK_USB >> CLK_USB
 USB_NXT >> USB_NXT
 USB_DIR >> USB_DIR
 USB_STP >> USB_STP
 USB_CLK >> USB_CLK
 USBD[0..7] >> USBD[0..7]



GINGKO Technology Co.,Ltd.		
Title: iCore3		
Size A	Document Number: 4_USB_HS	Rev 0
Date: Tuesday, November 17, 2015	Sheet 5 of 9	

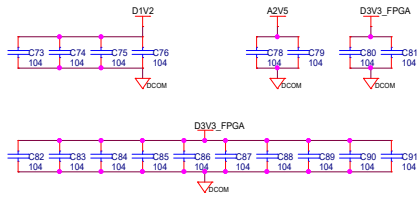
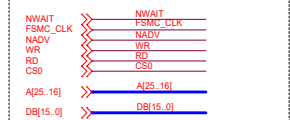


LAN_MOSI <> LAN_MOSI
 LAN_MISO <> LAN_MISO
 LAN_SCK <> LAN_SCK
 LAN_CS <> LAN_CS
 LAN_INT <> LAN_INT

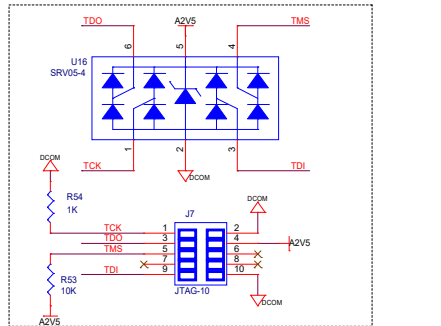


GINGKO Technology Co.,Ltd.		
Title		
iCore3		
Size	Document Number	Rev
B	5_Ethernet	0
Date:	Tuesday, November 17, 2015	Sheet 6 of 9

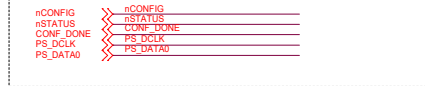
FSMC (32 I/O'S)



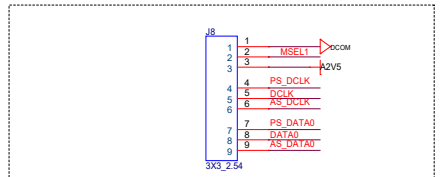
FPGA JTAG



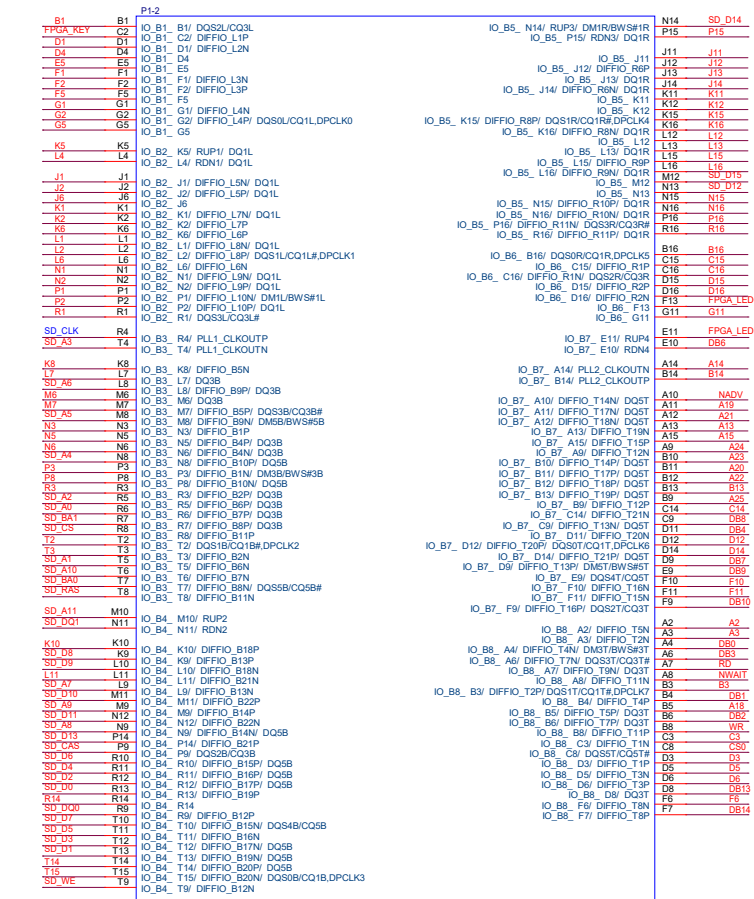
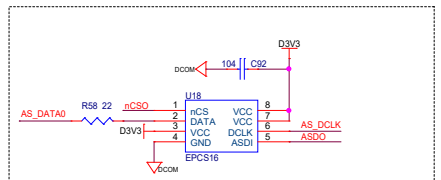
PS Signal



Config Select

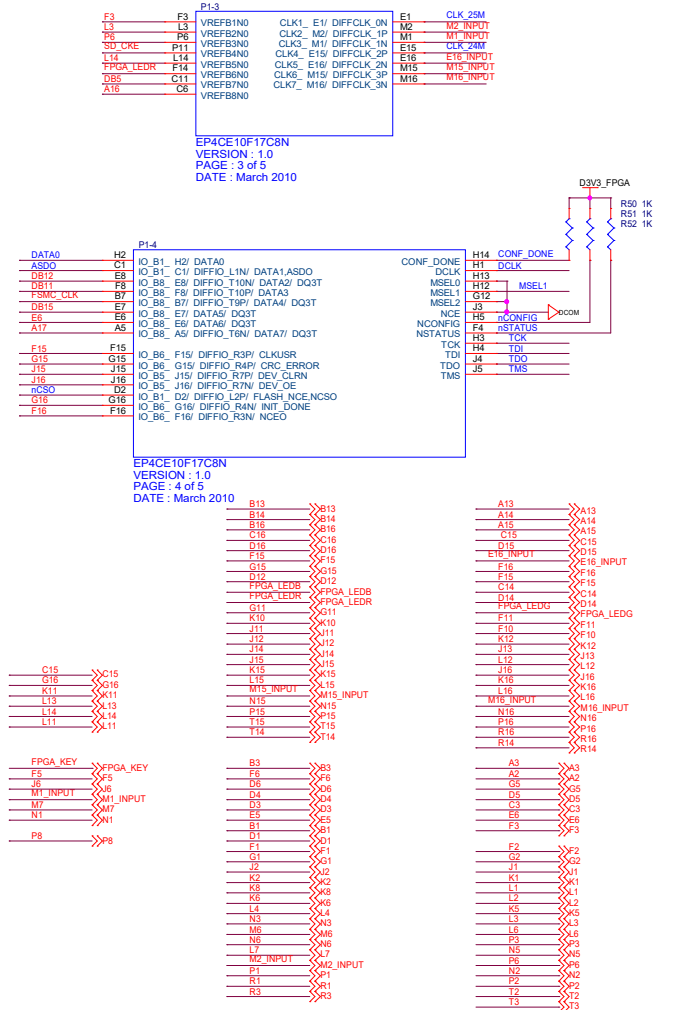


AS Config



EP4CE10F17C8N
VERSION : 1.0
DATE : March 2010

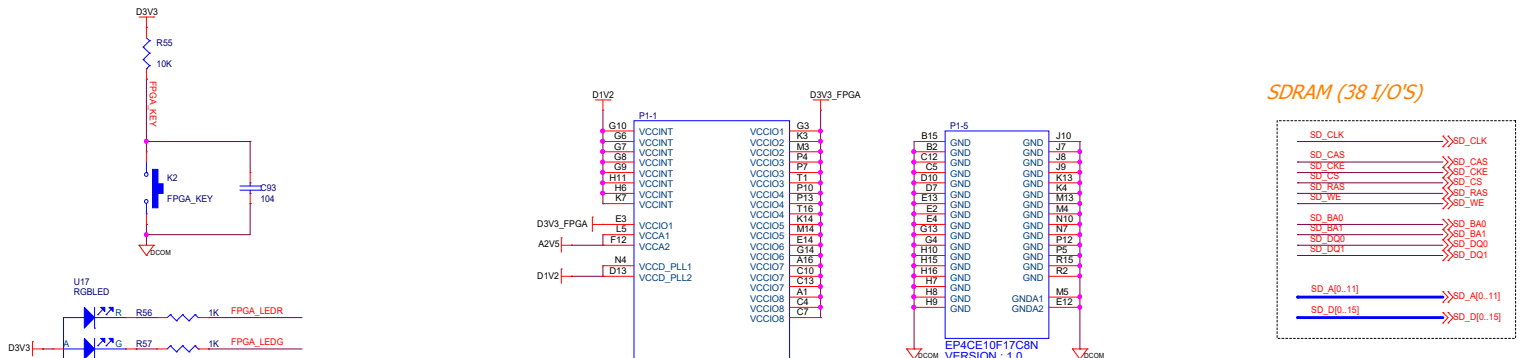
IO 105



EP4CE10F17C8N
VERSION : 1.0
DATE : March 2010

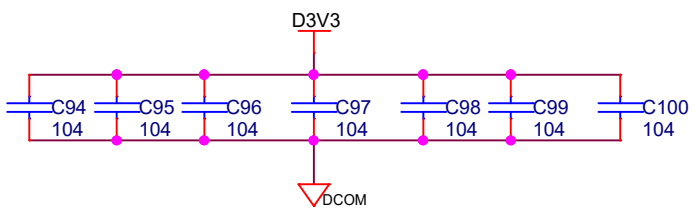
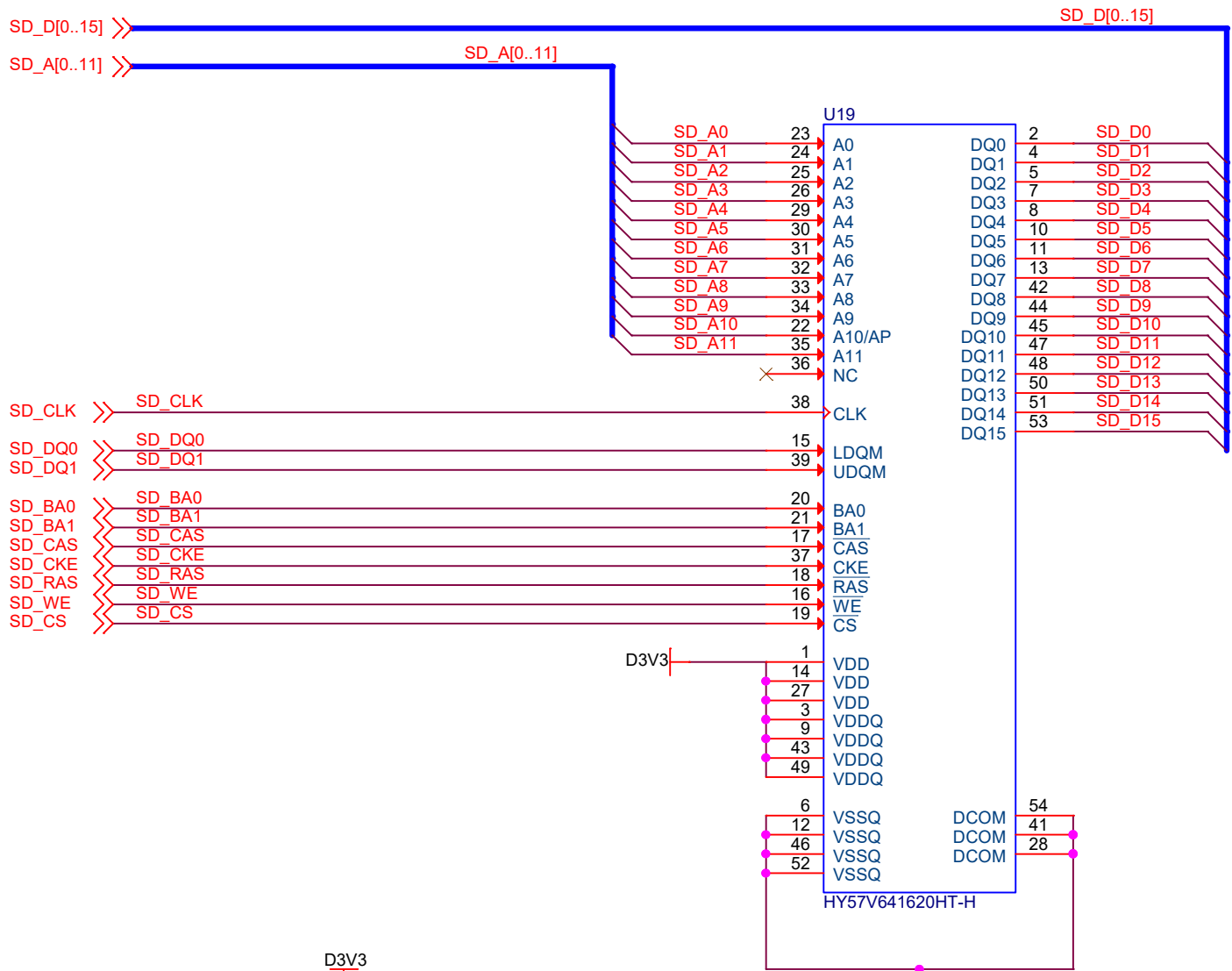
EP4CE10F17C8N
VERSION : 1.0
DATE : March 2010

SDRAM (38 I/O'S)

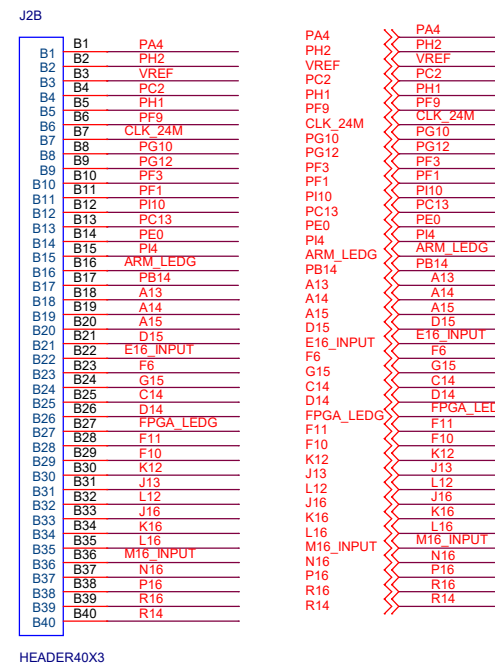
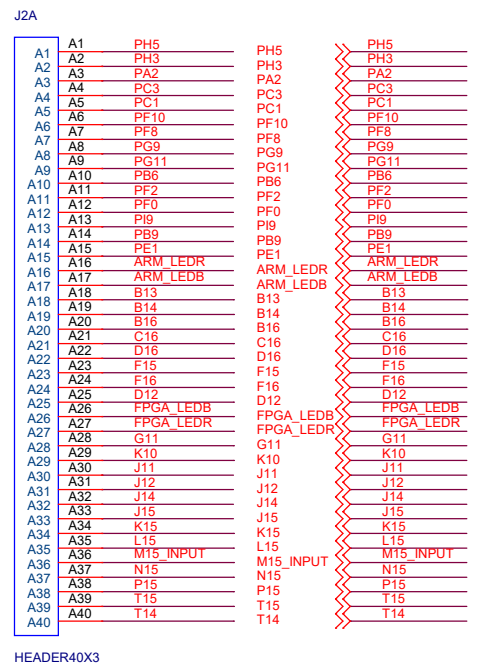
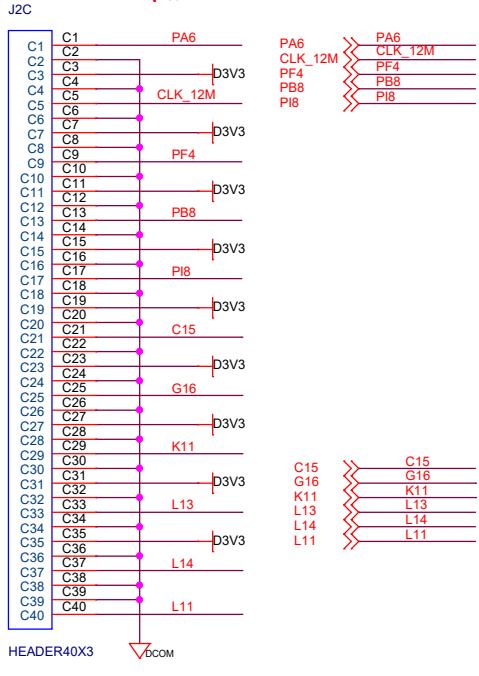
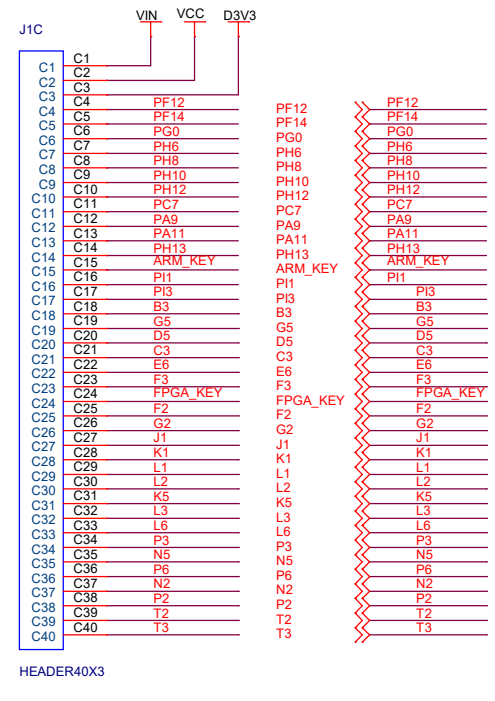
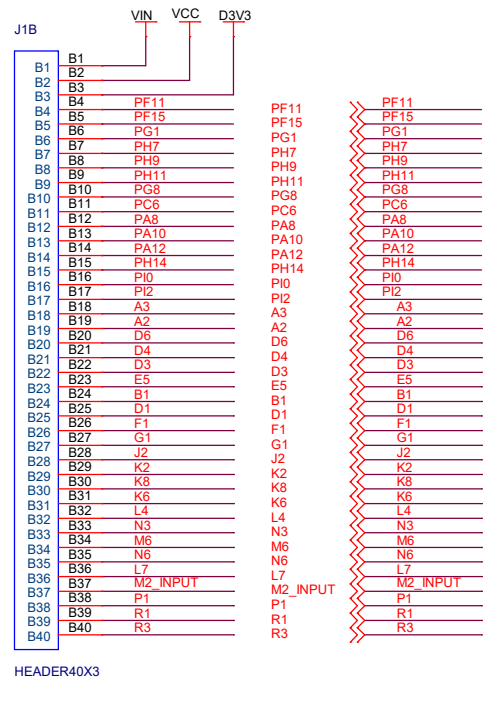
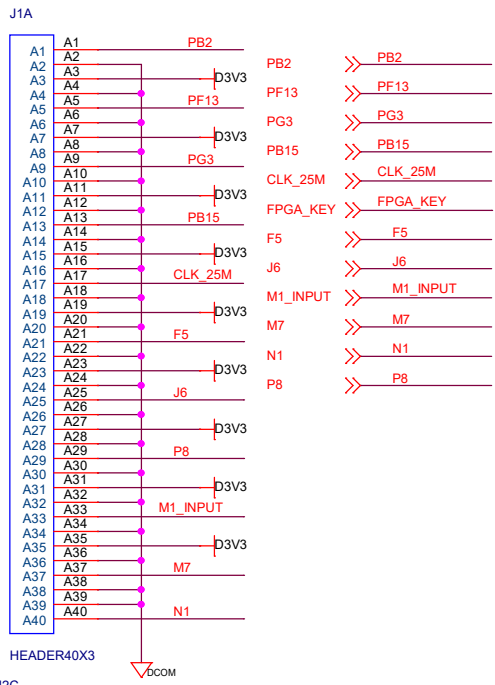


GINGKO Technology Co., Ltd.

Title	iCom3		
Size	Document Number	6_FPGA	
Date	Tuesday, November 17, 2015	Sheet	7 of 8



GINGKO Technology Co.,Ltd.		
Title iCore3		
Size A	Document Number 7_SDRAM	Rev 0
Date:	Tuesday, November 17, 2015	Sheet 8 of 9



GINGKO Technology Co.,Ltd.

Title		iCore3
Size	Document Number	Rev
B	8_Connector	0
Date:	Tuesday, November 17, 2015	Sheet 9 of 9